

Pro Imager

Automatic Electric Projection Masking System



SPECIFICATION DATA

SUGGESTED SPECIFICATIONS: _____masking system(s), _____(H) x _____(W), electrically operated 120V (60 Hz) not more than 1.2 amp, for use with a fixed wall projection screen. Shall have specially designed motor mounted inside the roller, to be three wire with ground, quick reversal type, oiled for life, with automatic thermal overload cutout, integral gears, capacitor and an electric brake to prevent coasting. Motorized roller to be extruded aluminum. Channels and roller boxes to be aluminum custom extruded shapes finished with black Pro-Trim® fabric covering to enhance appearance and absorb light surrounding the viewing area. For use with Perm Wall, Da-Snap and Imager fixed wall projection screens.

Horizontal: System shall mask screen equally from each side, closing to a predetermined alternate format.

Vertical strips of masking fabric mounted to horizontal aluminum slat bar powder coated black. Bar and masking fabric to lower from top on operation, and bar to be concealed by bottom channel when lowered.

Vertical: System shall mask screen equally from top to bottom, closing symmetrically to a predetermined alternate format.

Motorized roller shall oppose a spring roller institutional quality, with heavy-duty spring, in one-piece steel roller. Masking fabric mounted to aluminum slat bar, finished matte black, and operated by two take-up straps of black woven polypropylene, minimum break strength 200 lbs., completely concealed by side channels at all times. Listed by Underwriter's Laboratories.



Pro Imager Vertical Screen Masking System

NTSC (1.33) Viewing Area (Open) (H x W)		HDTV (1.78) Viewing Area (Closed) (H x W)		Nominal Diagonal (Open)		Nominal Diagonal (Closed)		Overall Dimensions (H x W)		Approx. Ship. Wt.	
In.	Cm	In.	Cm	In.	Cm	In.	Cm	In.	Cm	Lbs.	Kg
36" x 48"	91 x 122	27" x 48"	69 x 122	60"	152	55"	140	48" x 57"	122 x 145	38	17.2
43" x 57½"	109 x 146	32" x 57½"	81 x 146	72"	183	66"	168	55" x 66½"	140 x 169	44	20.0
50½" x 67"	128 x 170	37" x 67"	94 x 170	84"	213	77"	196	62½" x 76"	159 x 193	50	22.7
57½" x 77"	133 x 196	43" x 77"	109 x 196	96"	244	89"	224	69½" x 86"	177 x 218	56	25.4
60" x 80"	152 x 203	45" x 80"	114 x 203	100"	254	92"	234	72" x 89"	183 x 226	58	26.3
72" x 96"	183 x 244	54" x 96"	137 x 244	120"	205	110"	279	84" x 105"	213 x 267	68	30.8
90" x 120"	229 x 305	67½" x 120"	171 x 305	150"	381	138"	351	102" x 129"	259 x 328	85	38.6

Pro Imager Vertical Screen Masking System

NTSC (1.33) Viewing Area (Open) (H x W)		Letterbox (1.85) Viewing Area (Closed) (H x W)		Nominal Diagonal (Open)		Nominal Diagonal (Closed)		Overall Dimensions (H x W)		Approx. Ship. Wt.	
In.	Cm	In.	Cm	In.	Cm	In.	Cm	In.	Cm	Lbs.	Kg
36" x 48"	91 x 122	26" x 48"	66 x 122	60"	152	55"	140	48" x 57"	122 x 145	38	17.2
43" x 57½"	109 x 146	31" x 57½"	79 x 146	72"	183	65"	165	55" x 66½"	140 x 169	44	20.0
50½" x 67"	128 x 170	36" x 67"	91 x 170	84"	213	76"	193	62½" x 76"	159 x 193	50	22.7
57½" x 77"	133 x 196	41" x 77"	104 x 196	96"	244	87"	221	69½" x 86"	177 x 218	56	25.4
60" x 80"	152 x 203	43" x 80"	109 x 203	100"	254	91"	231	72" x 89"	183 x 226	58	26.3
72" x 96"	183 x 244	51" x 96"	130 x 244	120"	205	109"	277	84" x 105"	213 x 267	68	30.8
90" x 120"	229 x 305	65" x 120"	165 x 305	150"	381	136"	345	102" x 129"	259 x 328	85	38.6

Pro Imager Horizontal Screen Masking System

HDTV (1.78) Viewing Area (Open) (H x W)		NTSC (1.33) Viewing Area (Closed) (H x W)		Nominal Diagonal (Open)		Nominal Diagonal (Closed)		Overall Dimensions (H x W)		Approx. Ship. Wt.	
In.	Cm	In.	Cm	In.	Cm	In.	Cm	In.	Cm	Lbs.	Kg
45" x 80"	114 x 203	45" x 60"	114 x 152	92"	234	75"	191	57" x 89"	150 x 226	58	26.3
49" x 87"	124 x 221	49" x 65"	124 x 165	100"	254	82"	208	61" x 96"	155 x 244	63	28.6
52" x 92"	132 x 234	52" x 69"	132 x 175	106"	269	86"	218	64" x 101"	163 x 257	66	29.9
54" x 96"	137 x 244	54" x 72"	137 x 183	110"	279	90"	229	66" x 105"	168 x 267	69	31.3
58" x 104"	147 x 264	58" x 77"	147 x 196	119"	302	96"	244	70" x 113"	178 x 287	74	33.6
65" x 116"	165 x 295	65" x 86"	165 x 218	133"	338	108"	274	77" x 125"	196 x 318	81	36.7
78" x 139"	198 x 353	78" x 104"	198 x 264	159"	404	130"	330	90" x 148"	229 x 376	95	43.1

Pro Imager Horizontal Screen Masking System

Cinemascope (2.35) Viewing Area (Open) (H x W)		HDTV (1.78) Viewing Area (Closed) (H x W)		Nominal Diagonal (Open)		Nominal Diagonal (Closed)		Overall Dimensions (H x W)		Approx. Ship. Wt.	
In.	Cm	In.	Cm	In.	Cm	In.	Cm	In.	Cm	Lbs.	Kg
37½" x 88"	95 x 224	37½" x 67"	95 x 170	96"	244	77"	196	49½" x 97"	126 x 246	65	29.5
40½" x 95"	103 x 241	40½" x 72"	103 x 183	103"	262	82"	208	52½" x 104"	133 x 264	70	31.8
45" x 106"	114 x 269	45" x 80"	114 x 203	115"	292	92"	234	57" x 115"	145 x 292	75	34.0
49" x 115"	124 x 292	49" x 87"	124 x 221	125"	318	100"	254	61" x 124"	155 x 315	81	36.7
52" x 122"	132 x 310	52" x 92"	132 x 234	133"	338	106"	269	64" x 131"	163 x 333	85	38.6
54" x 126"	137 x 320	54" x 96"	137 x 244	138"	351	110"	279	66" x 135"	168 x 343	88	40.0

PRODUCT NOTES

- Overall dimensions +/- 1/4".
- Specifications subject to change without notice.
- Custom formats and sizes available upon request.

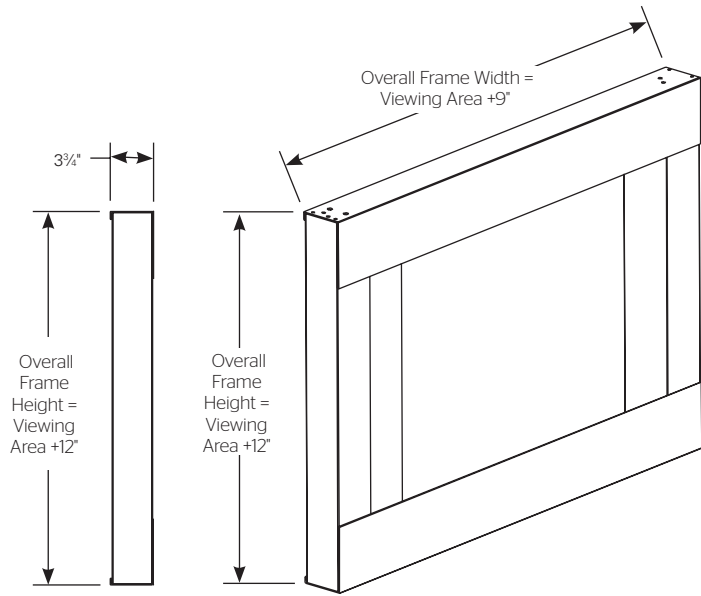
WHEN ORDERING, MARK APPROPRIATE SELECTIONS:

1. Select size from charts on the other side.

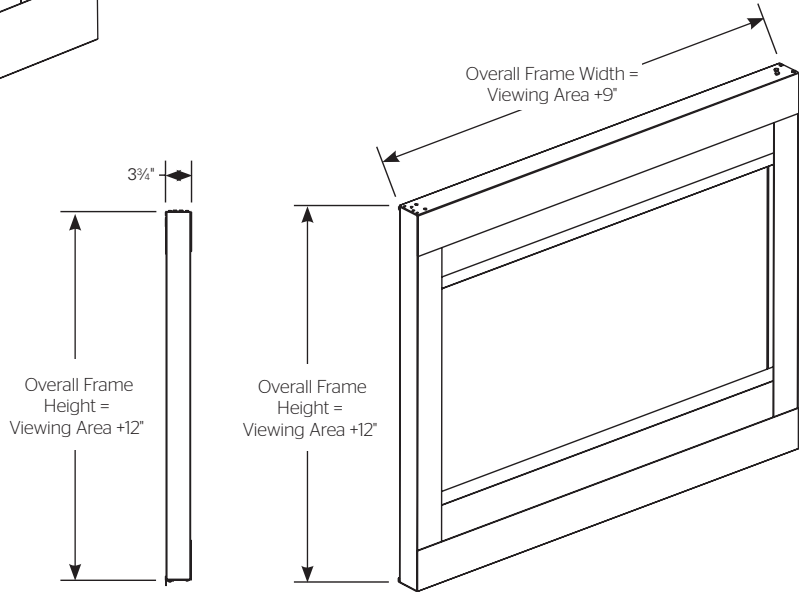
2. Optional accessories:

- Black Textured Powder Coat Finish (Pro-Trim® standard).
- Single motor low voltage control, 3 button with one (1) Switch - external.
- Radio Frequency Wireless Remote Control for LVC System.
 - Radio Frequency Range Extender available.
- Infrared Wireless Remote Control Unit for LVC System.
- Locking Switch Cover Plate for 120 V or 3-Button Switch.
- Key Operated Switch for 120 V only (**NOTE:** Cannot be used with low voltage system).
- 220 Volt (50 Hz) motor.
- Video Projector Interface Control - external.
- External SCB-100 - RS-232 Serial Control Board.
- NET-100 Ethernet-Serial Adapter.

PRODUCT VIEWS



Pro Imager - Horizontal



Pro Imager - Vertical



A Milestone AV Technologies Brand

3100 North Detroit Street
 Warsaw, Indiana 46582
 P: 574.267.8101 or 800.622.3737
 F: 574.267.7804 or 877.325.4832
 E: info@da-lite.com
 www.da-lite.com

DL-0234 12.13

© 2013 Milestone AV Technologies LLC. Printed in U.S.A.

Project Name: _____	
Architect: _____	
Contractor: _____	Phone: _____
Reseller: _____	Phone: _____