

Multi-Mask Imager

Fixed Wall Projection Screen with Electric Masking



SPECIFICATION DATA

SUGGESTED SPECIFICATIONS: _____ fixed wall mounted projection screen(s), _____(H) x _____(W), with electric masking systems, motorized. Shall have specially designed motor mounted inside the roller, to be three wire with ground, quick reversal type, oiled for life, with automatic thermal overload cutout, integral gears, capacitor and an electric brake to prevent coasting. Operates on 120V AC, 3.6 amp, 3 motors, each not more than 1.2 amp. Motorized roller to be extruded aluminum. Masks are electronically controlled panels that extend and retract from the framing at the top and bottom of the screen. Masking fabric to be flame retardant and mildew resistant fiberglass. System shall mask screen equally from each side, closing

to a predetermined alternate format. Vertical strips of masking fabric mounted to aluminum roller. Bars attached to the bottoms of the strips. Bar and masking fabric to lower from top on operation, and bar to be concealed by bottom panel when lowered. System shall also mask screen from both top and bottom to a predetermined alternate format. Masking fabric mounted to aluminum slat bar, finished matte black, and operated by aluminum roller with drive unit inside. To have flexible screen surface, fire retardant and mildew resistant. Frame to be made of extruded aluminum, covered with black Pro-Trim® fabric to enhance appearance and absorb light surrounding the viewing surface. Listed by Underwriter's Laboratories.



45" x 80" HDTV (16:9) Format Dimensions

	Standard Units (H x W/Lbs.)	Metric Units (Cm/Kg)
Overall Dimensions	63" x 90"	160 x 229
HDTV Format	45" x 80"	113 x 203
HDTV Diagonal	92"	234
NTSC Format	45" x 60"	114 x 152
NTSC Diagonal	75"	190
Letterbox Format	43" x 80"	109 x 203
Letterbox Diagonal	91"	231
Cinemascope Format	34" x 80"	86 x 203
Cinemascope Diagonal	87"	221
Approx. Ship. Wt.	200	90.7

49" x 87" HDTV (16:9) Format Dimensions

	Standard Units (H x W/Lbs.)	Metric Units (Cm/Kg)
Overall Dimensions	67" x 97"	170 x 246
HDTV Format	49" x 87"	124 x 221
HDTV Diagonal	100"	254
NTSC Format	49" x 65"	124 x 165
NTSC Diagonal	82"	208
Letterbox Format	47" x 87"	119 x 221
Letterbox Diagonal	99"	251
Cinemascope Format	37" x 87"	94 x 221
Cinemascope Diagonal	95"	241
Approx. Ship. Wt.	220	99.8

52" x 92" HDTV (16:9) Format Dimensions

	Standard Units (H x W/Lbs.)	Metric Units (Cm/Kg)
Overall Dimensions	70" x 102"	178 x 259
HDTV Format	52" x 92"	132 x 233
HDTV Diagonal	106"	269
NTSC Format	52" x 69"	132 x 175
NTSC Diagonal	86"	218
Letterbox Format	50" x 92"	127 x 233
Letterbox Diagonal	105"	267
Cinemascope Format	39" x 92"	99 x 233
Cinemascope Diagonal	100"	254
Approx. Ship. Wt.	230	104.3

54" x 96" HDTV (16:9) Format Dimensions

	Standard Units (H x W/Lbs.)	Metric Units (Cm/Kg)
Overall Dimensions	72" x 106"	183 x 269
HDTV Format	54" x 96"	137 x 244
HDTV Diagonal	110"	279
NTSC Format	54" x 72"	137 x 183
NTSC Diagonal	90"	229
Letterbox Format	52" x 96"	132 x 244
Letterbox Diagonal	109"	277
Cinemascope Format	41" x 96"	104 x 244
Cinemascope Diagonal	104"	264
Approx. Ship. Wt.	240	108.9

58" x 104" HDTV (16:9) Format Dimensions

	Standard Units (H x W/Lbs.)	Metric Units (Cm/Kg)
Overall Dimensions	76" x 114"	193 x 289
HDTV Format	58" x 104"	147 x 264
HDTV Diagonal	119"	302
NTSC Format	58" x 77"	147 x 195
NTSC Diagonal	96"	244
Letterbox Format	56" x 104"	142 x 264
Letterbox Diagonal	118"	300
Cinemascope Format	44" x 104"	112 x 264
Cinemascope Diagonal	113"	287
Approx. Ship. Wt.	260	117.9

65" x 116" HDTV (16:9) Format Dimensions

	Standard Units (H x W/Lbs.)	Metric Units (Cm/Kg)
Overall Dimensions	83" x 126"	211 x 320
HDTV Format	65" x 116"	165 x 295
HDTV Diagonal	133"	338
NTSC Format	65" x 86"	165 x 218
NTSC Diagonal	108"	274
Letterbox Format	63" x 116"	160 x 295
Letterbox Diagonal	132"	335
Cinemascope Format	49" x 116"	124 x 295
Cinemascope Diagonal	126"	320
Approx. Ship. Wt.	290	131.5

PRODUCT NOTES

- All surfaces will be seamless in standard sizes.
- **All surfaces are standard with black backing except Da-Tex® and Dual Vision.**
- Overall dimensions +/- 1/4".
- Specifications subject to change without notice.
- Custom formats and sizes available upon request.

WHEN ORDERING, MARK APPROPRIATE SELECTIONS:

1. Select size from charts on the other side.

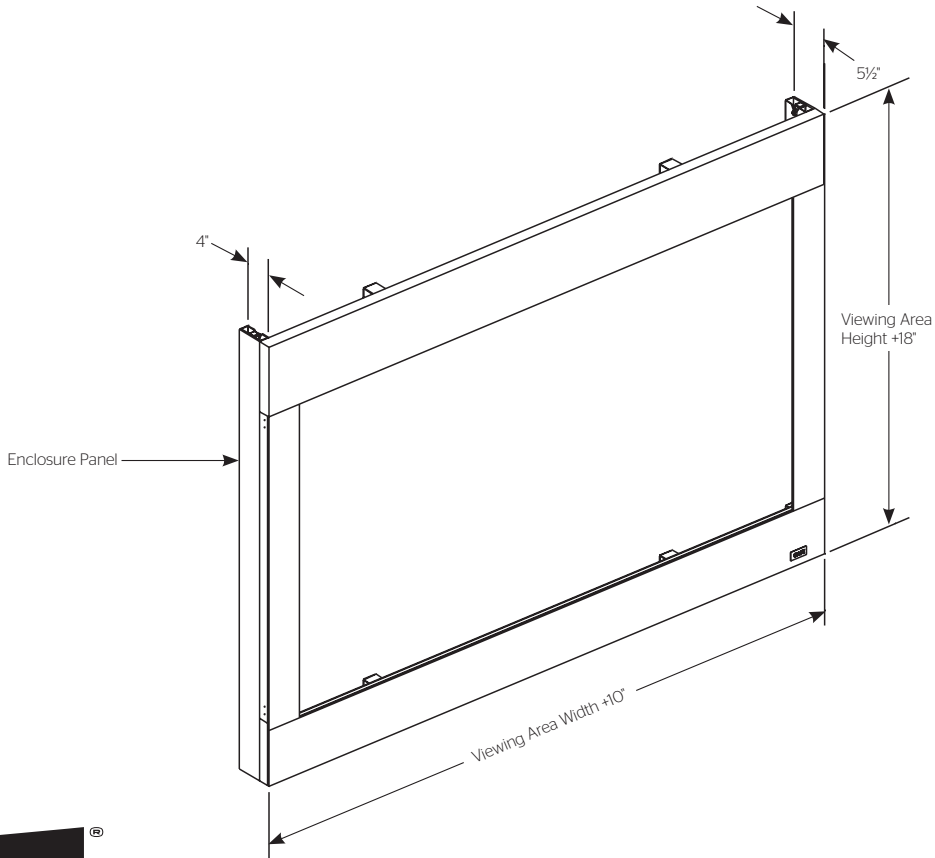
2. Select viewing surface (All Da-Lite surfaces are GREENGUARD GOLD Certified):

- | | |
|--|---|
| <input type="checkbox"/> HD Progressive 0.6 | <input type="checkbox"/> Pearlescent |
| <input type="checkbox"/> HD Progressive 0.9 | <input type="checkbox"/> High Contrast Cinema Perf |
| <input type="checkbox"/> HD Progressive 1.1 | <input type="checkbox"/> Da-Tex® (Rear) |
| <input type="checkbox"/> HD Progressive 1.3 | <input type="checkbox"/> High Power® |
| <input type="checkbox"/> Da-Mat® | <input type="checkbox"/> HD Progressive 1.1 Perf |
| <input type="checkbox"/> High Contrast Da-Mat® | <input type="checkbox"/> Audio Vision |
| <input type="checkbox"/> Cinema Vision | <input type="checkbox"/> High Contrast Audio Vision |
| <input type="checkbox"/> High Contrast Cinema Vision | <input type="checkbox"/> Dual Vision |

3. Optional accessories:

- | | |
|--|--|
| <input type="checkbox"/> Multi-Channel Infrared Remote (MCIR). | <input type="checkbox"/> Locking Switch Cover Plate for 120 V or LVC Switch. |
| <input type="checkbox"/> Single motor Low Voltage Control (LVC) 3 required. | <input type="checkbox"/> Key Operated Switch for 120 V only (NOTE: Cannot be used with LVC). |
| <input type="checkbox"/> Radio Frequency Wireless Remote Control for LVC System. | <input type="checkbox"/> 220 Volt (50 Hz) motor. |
| <input type="checkbox"/> Radio Frequency Range Extender available. | |

PRODUCT VIEWS



A Milestone AV Technologies Brand

3100 North Detroit Street
 Warsaw, Indiana 46582
 P: 574.267.8101 or 800.622.3737
 F: 574.267.7804 or 877.325.4832
 E: info@da-lite.com
 www.da-lite.com

DL-0230 12.13

© 2013 Milestone AV Technologies LLC. Printed in U.S.A.

Project Name: _____	
Architect: _____	
Contractor: _____	Phone: _____
Reseller: _____	Phone: _____