

Imager

Wall-Mounted Projection Screen



SPECIFICATION DATA

SUGGESTED SPECIFICATIONS: _____ fixed wall mounted projection screen(s), _____ (H) x _____ (W). To have flexible screen surface, fire retardant and mildew resistant. Screen surface will attach to frame with snaps. Frame will conceal all binding and attachment materials. Screen frame will be textured matte black powder coated aluminum. Frame will be miter cut (45°) at corners. Wall mounting bracket will be included.

Video (NTSC 4:3) Format Dimensions

Viewing Area (H x W)		Nominal Diagonal		Overall Dimensions		Approx. Ship. Wt.	
In.	Cm	In.	Cm	In.	Cm	Lbs.	Kg
36" x 48"	91 x 122	60"	152	40" x 52"	102 x 132	20	9.1
43" x 57½"	109 x 146	72"	183	47" x 61½"	119 x 156	24	10.9
50½" x 67"	128 x 170	84"	213	54½" x 71"	138 x 180	27	12.3
57½" x 77"	146 x 196	96"	244	61½" x 81"	156 x 206	30	13.6
60" x 80"	152 x 203	100"	254	64" x 84"	163 x 213	32	14.5
72" x 96"	183 x 244	120"	305	76" x 100"	193 x 254	37	16.8
90" x 120"	229 x 305	150"	381	94" x 124"	239 x 315	50	22.7

HDTV (16:9) Format Dimensions

Viewing Area (H x W)		Nominal Diagonal		Overall Dimensions		Approx. Ship. Wt.	
In.	Cm	In.	Cm	In.	Cm	Lbs.	Kg
37½" x 67"	95 x 170	77"	196	41½" x 71"	105 x 180	24	10.9
40½" x 72"	103 x 183	82"	208	44½" x 76"	113 x 193	27	12.2
45" x 80"	114 x 203	92"	234	49" x 84"	124 x 213	28	12.7
49" x 87"	124 x 221	100"	254	53" x 91"	135 x 231	32	14.5
52" x 92"	132 x 234	106"	269	56" x 96"	142 x 244	33	15.0
54" x 96"	137 x 244	110"	279	58" x 100"	147 x 254	34	15.4
58" x 104"	147 x 264	119"	302	62" x 108"	157 x 274	38	17.2
65" x 116"	165 x 295	133"	338	69" x 120"	175 x 305	44	20.0
78" x 139"	198 x 353	159"	404	82" x 143"	211 x 363	46	20.9

Cinemascope Format Dimensions

Viewing Area (H x W)		Nominal Diagonal		Overall Dimensions		Approx. Ship. Wt.	
In.	Cm	In.	Cm	In.	Cm	Lbs.	Kg
37½" x 88"	95 x 224	96"	244	41½" x 92"	105 x 234	32	14.5
40½" x 95"	103 x 241	103"	262	44½" x 99"	113 x 251	34	15.4
45" x 106"	114 x 269	115"	292	49" x 110"	124 x 279	38	17.2
49" x 115"	124 x 292	125"	318	53" x 119"	135 x 302	43	19.5
52" x 122"	132 x 310	133"	338	56" x 126"	142 x 320	45	20.4
54" x 126"	137 x 320	138"	351	58" x 130"	147 x 330	46	20.9
58" x 136½"	147 x 347	148"	376	62" x 140½"	157 x 357	48	21.8

PRODUCT NOTES

- Overall dimensions +/- 1/4" (6mm).
- Specifications subject to change without notice.
- Custom formats and sizes available upon request.
- All HD Progressive 0.6, HD Progressive 0.9, HD Progressive 1.1, HD Progressive 1.3, Da-MatR, High Contrast Da-MatR, Cinema Vision, High Contrast Cinema Vision, Pearlescent, Da-TexR and Dual Vision are seamless up to 16' high.
- Audio Vision, High Contrast Cinema Perf and High Contrast Audio Vision, HD Progressive 1.1 Perf, High PowerR and Silver Lite 2.5 surfaces are available in sizes up to 8' high.
- **All viewing surfaces are standard with black backing except Da-Tex® and Dual Vision.**

WHEN ORDERING, MARK APPROPRIATE SELECTIONS:

1. Select size from charts on the other side.

2. Select viewing surface:

- HD Progressive 0.6
- HD Progressive 0.9
- HD Progressive 1.1
- HD Progressive 1.3
- Da-Mat®
- Pearlescent
- HD Progressive 1.1 Perf
- Dual Vision

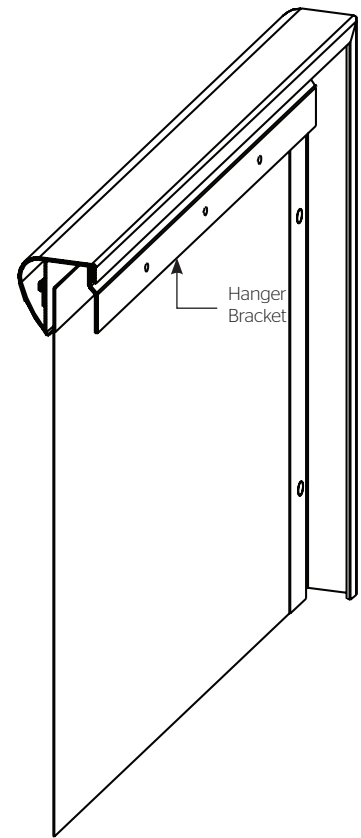
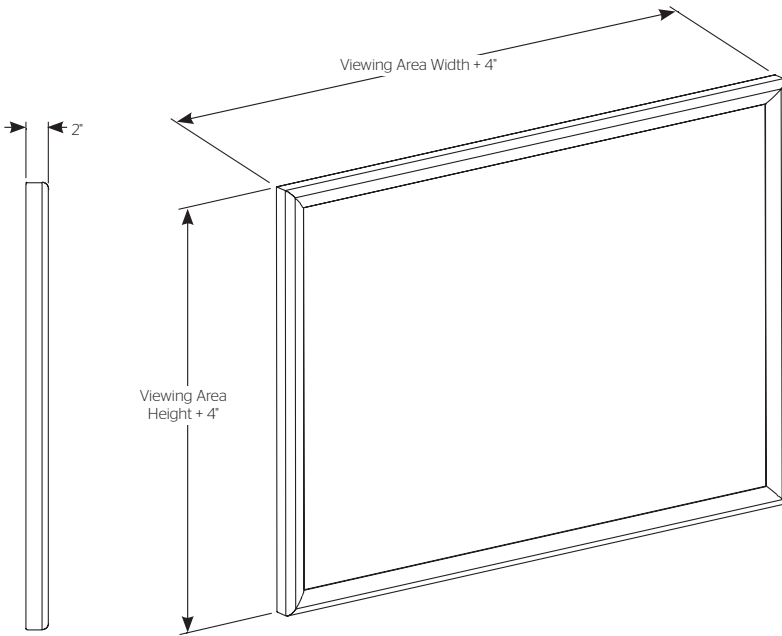
- Audio Vision
- High Contrast Audio Vision
- High Contrast Da-Mat®
- Da-Tex® (rear)
- Cinema Vision
- High Contrast Cinema Vision
- High Contrast Cinema Perf

3. Optional accessories:

- Pro-Trim®: Pro-Trim® is a fabric covering that aesthetically enhances the appearance of the installation. Pro-Trim® provides a stylish masked border while absorbing the light that surrounds the viewing area.
- Velcro® Attachment (snaps standard).
- Pro Imager Masking System (Refer to the Pro Imager specification data sheet for size availability and more details).

- Veneer Frame Finish (Choose from seven standard veneers).
 - Light Oak
 - Medium Oak
 - Natural Walnut
 - Heritage Walnut
 - Mahogany
 - Cherry
 - Honey Maple

PRODUCT VIEWS



A Milestone AV Technologies Brand

3100 North Detroit Street
 Warsaw, Indiana 46582
 P: 574.267.8101 or 800.622.3737
 F: 574.267.7804 or 877.325.4832
 E: info@da-lite.com
 www.da-lite.com

DL-0223 11.13

© 2013 Milestone AV Technologies LLC. Printed in U.S.A.

Project Name: _____

Architect: _____

Contractor: _____ Phone: _____

Reseller: _____ Phone: _____